

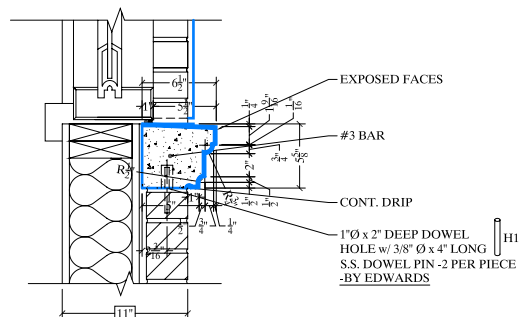
GENERAL NOTES:

- All joints to be 3/8" (unless otherwise noted)
- All surrounds will allow for a 3/8" joint. This includes windows and doors.
- * Denotes field cut
- C.J. - Control Joint
- Verify ALL dimensions.
- Dimensions not changed are assumed to be correct.
- Edwards Cast Stone is NOT responsible for coordinating with other trades.
- Edwards Cast Stone is NOT responsible, (as noted on proposal), for supplying mechanical fastening devices such as screws, expansion anchors, threaded rod, nuts, and bolts.
- ALL SIGNS Text on signs to be sandblasted and painted w/ black lithochrome stain unless noted otherwise.
- Installation of Cast Stone constitutes acceptance

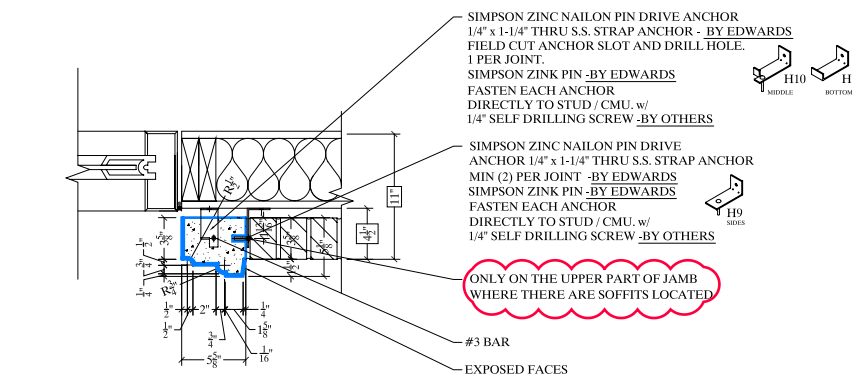
Edwards Cast Stone Recommends:

- Installer to review
- The Cast Stone Institute information provided in regards to:
 - Job Site Handling and Installation, Mortars, Sealants,
 - Pointing of Joints, Patching, Cleaning, Efflorescence, and Cracking
 - (A copy of this information will be sent with the 1st stone shipment.)
- Cast stone that is installed on or near pools, sprinklers, building bases (water tables), or other areas exposed to constant moisture, must be sealed after installation to prevent crazing and discoloration.
- All Cast Stone lug sills to be made in two pieces (Minimum).

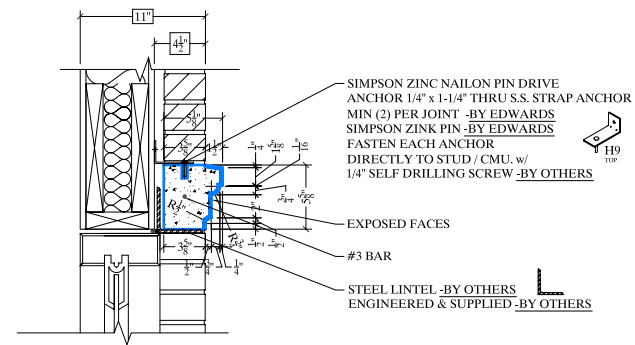
COLOR 19



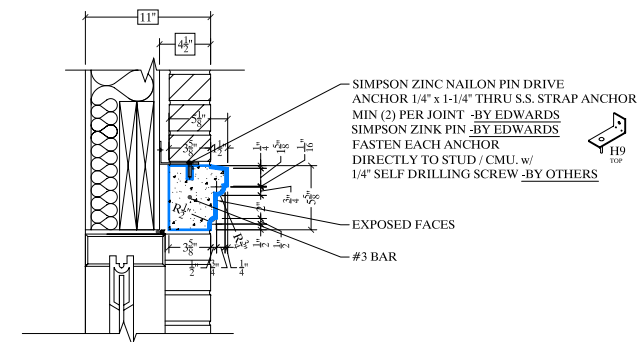
1 DETAIL OF SILL (E313 - 5 5/8")
1-1/2" = 1'-0"



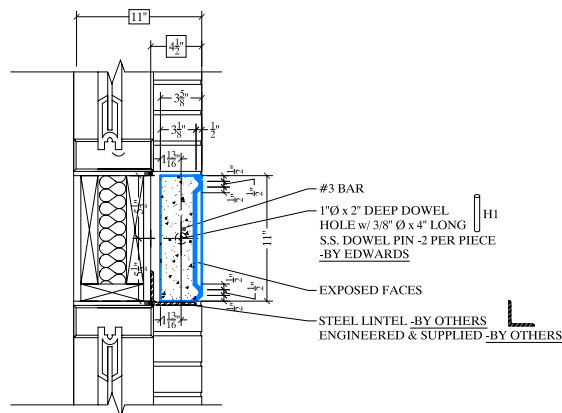
2 DETAIL OF JAMB (E209 - 5 5/8")
1-1/2" = 1'-0"



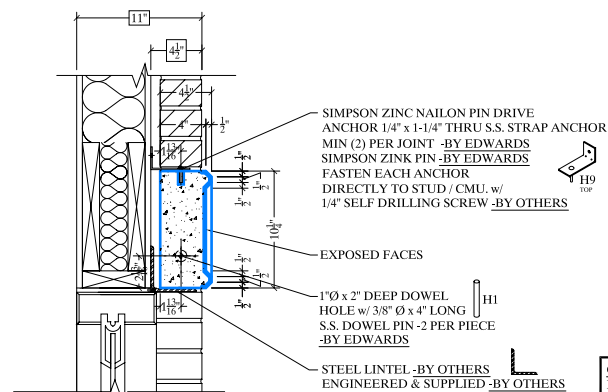
3 DETAIL OF HEADER (E209 - 5 5/8")
1-1/2" = 1'-0"



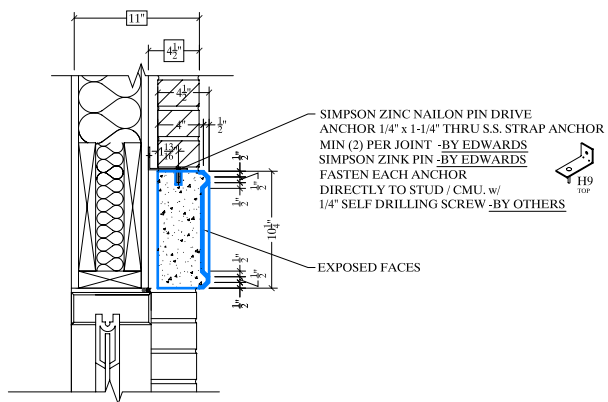
4 DETAIL OF HEADER (E209 - 5 5/8")
1-1/2" = 1'-0"



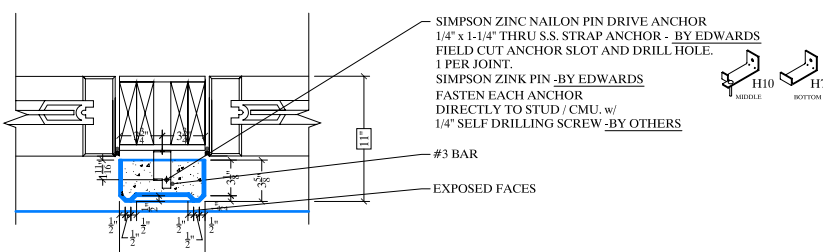
5 DETAIL OF HEADER
1-1/2" = 1'-0"



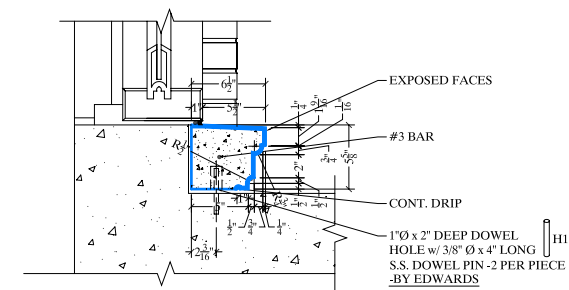
6 DETAIL OF KEYSTONE (E805 - 4")
1-1/2" = 1'-0"



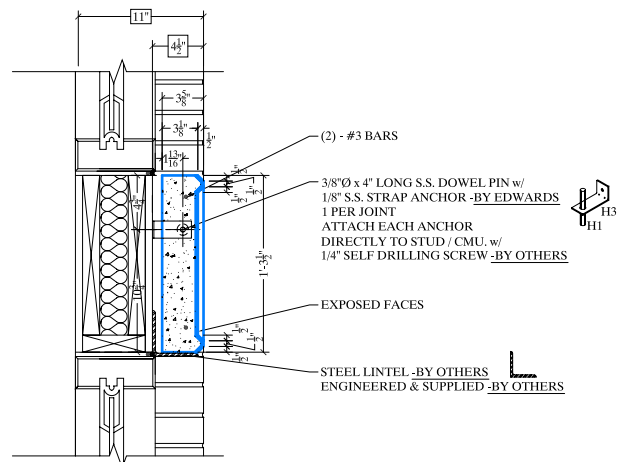
7 DETAIL OF KEYSTONE (E805 - 4")
1-1/2" = 1'-0"



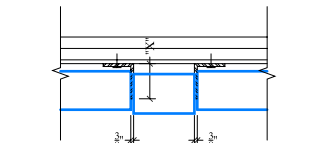
8 DETAIL OF JAMB
1-1/2" = 1'-0"



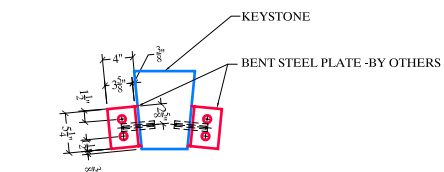
11 DETAIL OF SILL (E313 - 5 5/8")
1-1/2" = 1'-0"



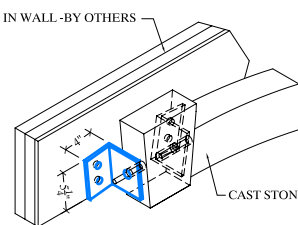
9 DETAIL OF HEADER
1-1/2" = 1'-0"



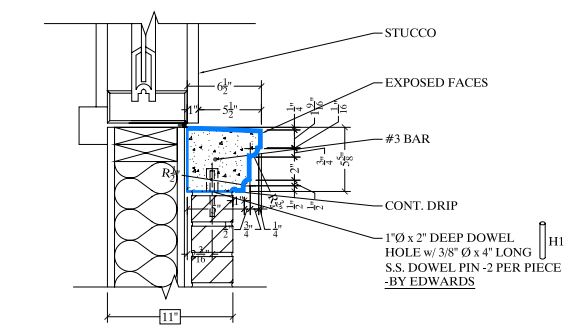
TOP VIEW @ KEYSTONE
1" = 1'-0"



ELEVATION VIEW @ KEYSTONE
1" = 1'-0"



10 DETAIL OF CAST STONE ARCH ATTACHMENT
1" = 1'-0"



12 DETAIL OF SILL (E313 - 5 5/8")
1-1/2" = 1'-0"

HARDWARE BY EDWARDS

CONNECTION HARDWARE:
Edwards has detailed the recommended connection information for your convenience. If ordering connection hardware from Edwards please note the mechanical fastening devices such as screws, expansion anchors, threaded rod, nuts, and bolts for attachment to structure are NOT supplied by Edwards.

ALL HARDWARE TO BE: AISI TYPE 304 STAINLESS STEEL
TOLERANCES: ALL DIMENSIONS ± 1/16"

MARK	QTY.	"X"	SKETCH / DESCRIPTION
H1	405	4"	
-	-	-	
-	-	-	
-	-	-	
-	-	-	
-	-	-	

MARK	QTY.	"X"	SKETCH / DESCRIPTION
H3	90	3 15/16"	
-	-	-	
-	-	-	
-	-	-	
-	-	-	
-	-	-	

MARK	QTY.	"X"	SKETCH / DESCRIPTION
H7	60	3 3/8"	
-	-	-	
-	-	-	
-	-	-	
-	-	-	
-	-	-	

MARK	QTY.	"X"	SKETCH / DESCRIPTION
H9	142	3 7/16"	
-	-	-	
-	-	-	
-	-	-	
-	-	-	
-	-	-	

MARK	QTY.	"X"	SKETCH / DESCRIPTION
H10	116	3 3/8"	
-	-	-	
-	-	-	
-	-	-	
-	-	-	
-	-	-	

MARK
SIMPSON ZINC NAILON PIN DRIVE ANCHOR
1/4" x 1-1/4"

MARK	QTY.	SKETCH / DESCRIPTION
N1	260	
-	-	

777 Edwards Road
Dubuque, IA 52003
Phone: (563) 556-0595
Fax: (563) 556-8906
Web Site: www.edcstone.com
e-mail: drafting@edcstone.com



Edwards
CAST STONE COMPANY

PROJECT AND LOCATION
ALTAMORE RESIDENCE
SOMONAUOK, IL
ARCHITECT
CORNERSTONE ARCHITECTURAL GRO
CONTRACTOR
BRYAN MICHELS MASONRY LLC

REVISIONS	
NO.	REVISION
1	11/12/07

SUBMITTED
10/25/07

RELEASED
12/31/07

DRAWN BY:
BMM

JOB #
257210
SHEET #
1